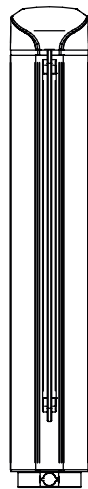
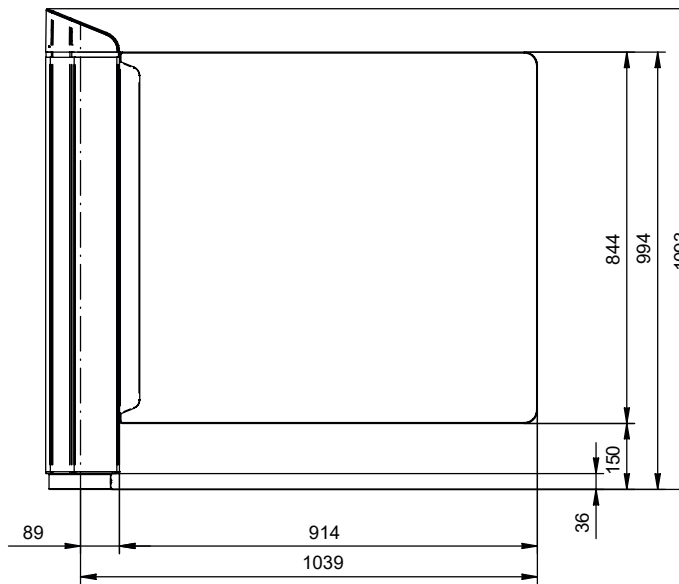


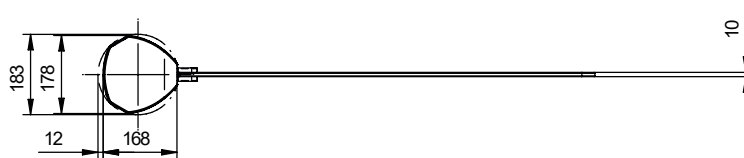
SG600 – side view



SG600 – front view



SG600 – top view



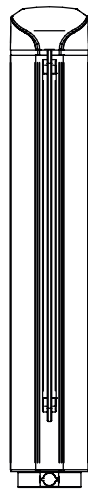
*not to scale. All dimensions in millimeters. We recommend a 2" gap between products and neighboring walls/rails/ other obstructions. We also recommend a 2" gap between turnstile and neighboring gates

This drawing is the property of Hayward Turnstiles Inc., and contains proprietary information, it may not be copied, reproduced or transmitted in any manner to a third party without prior written permission of Hayward Turnstiles Inc.

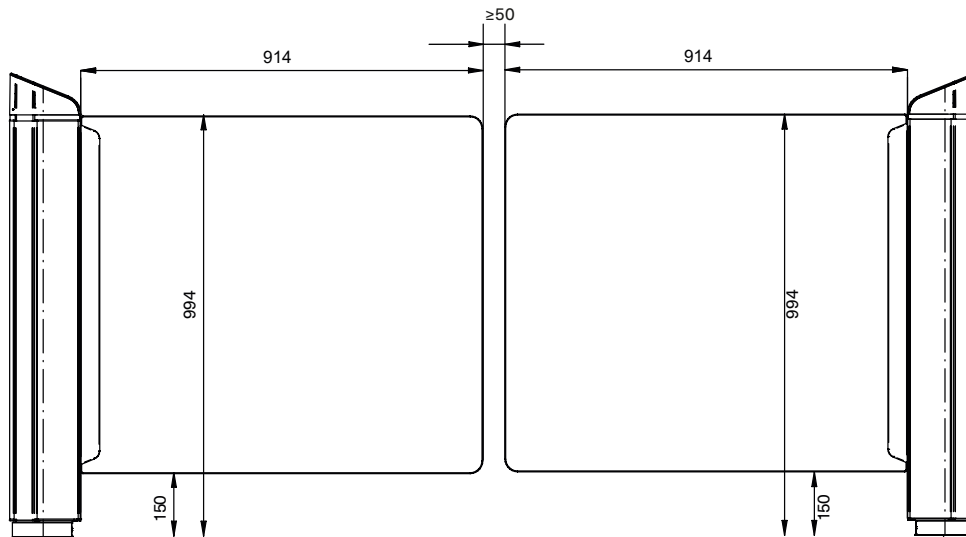
Hayward Turnstiles, Inc.

**SG600 Motorized Swing Gate Dimensions:
 Single Gate Orientation**

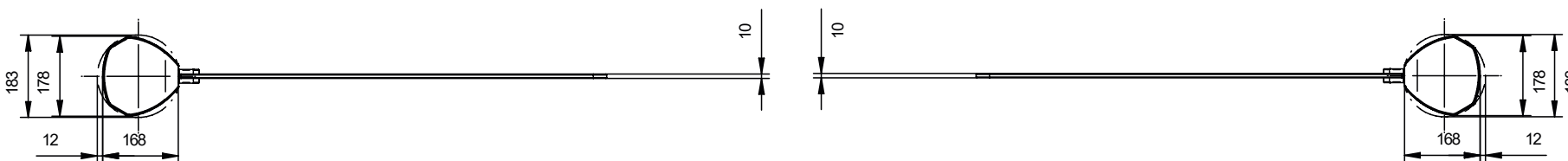
SG600– side view



SG600– Tandem front view



SG600 – tandem top view



*not to scale. All dimensions in millimeters. We recommend a 2" gap between products and neighboring walls/rails/ other obstructions. We also recommend a 2" gap between turnstile and neighboring gates

This drawing is the property of Hayward Turnstiles Inc., and contains proprietary information, it may not be copied, reproduced or transmitted in any manner to a third party without prior written permission of Hayward Turnstiles Inc.

Hayward Turnstiles, Inc.

SG600 Motorized Swing Gate Dimensions:
 Tandem Gate Orientation