

**Expert Advice. Great Value. Contact Us Today!**

**Call:** 203-647-9147 **Email:** sales@haywardts.com

**Website:** www.haywardts.com

## HT60 Standard Passage

- **Stylish Modern Aluminum Design**
- **Full Height for Maximum Security**
- **Interior Frameless Clear Panels**
- **Exterior Clear Sidewalls**
- **Solid Roof Canopy**



### **HT60 Standard Passage**

*(Frameless Clear Lexan Rotating Interior Panels)*

***Revolving door look...turnstile functionality.***

#### ***Applications:***

The HT60 turnstile provides full height security while maintaining an open look. The visually appealing, transparent design includes clear light emitting panels for a friendly inviting appearance. It features clear glazing (Lexan) for both the exterior sidewalls and frameless rotating interior panels. The aluminum frame and anodized finish has a low-profile look, includes a solid roof canopy and complements most environments. The modern stylish design is a popular choice when both security and a discrete look are important.

#### ***About Hayward Turnstiles:***

Hayward Turnstiles has over 50 years of expertise in quality manufacturing of precision aircraft parts and reliable turnstiles.

Our factory, in Milford, CT, is AS9100 Certified to aerospace standards resulting in superior turnstiles. Engineered to industrial grade specifications, they are durable and built tough for long lasting performance. Proudly made in the USA, we distribute worldwide with installations across the globe.

Get in touch with us for expert advice, design assistance, project review, free quotes and for help with your security needs.

*See back for detailed  
dimensions and specifications.*

## HT60 Specifications

### Applications:

The HT60 turnstile provides full height security while maintaining an open look. The modern stylish design is a popular choice when both security and a discrete look are important

### Product Finish:

Clear anodized. Other finishes upon request.

### Design & Construction:

- Designed for secure operations with visual appeal
- Anodized aluminum frame with clear lifetime finish
- Heavy duty extruded aluminum framing
- High impact durable Lexan glazing (arms & yoke)
- Frameless Clear Lexan Rotating Interior Panels
- Exterior Clear Lexan Sidewalls
- Heavy gauge internal steel framing (mainframe & canopy)
- Stainless fasteners
- Hardened tool steel locking bars, cams and roller assemblies
- Permanently lubricated sealed bearings

### Turnstile Operation:

- Choice of right or left-handed direction
- Self-centering mechanism with hydraulic shock suppression

- Fail-Safe (free passage on power failure)
- Fail-Lock (locked passage on power failure)
- Easily integrates to access control & fire safety systems
- Interfaces with card readers, biometrics, wireless remotes and push buttons

### Options:

- Card reader mounting plates
- Electronic resettable counter with LCD display and 7-year lithium battery
- Red/Green indicator lights
- Low voltage canopy lighting
- Tailgate detection
- Custom decorative aluminum top
- Additional options upon request.

### Electrical Specifications:

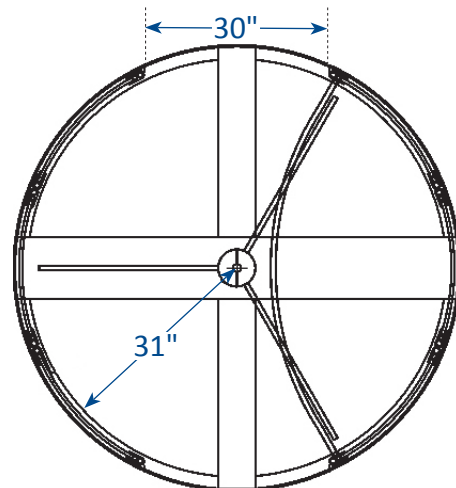
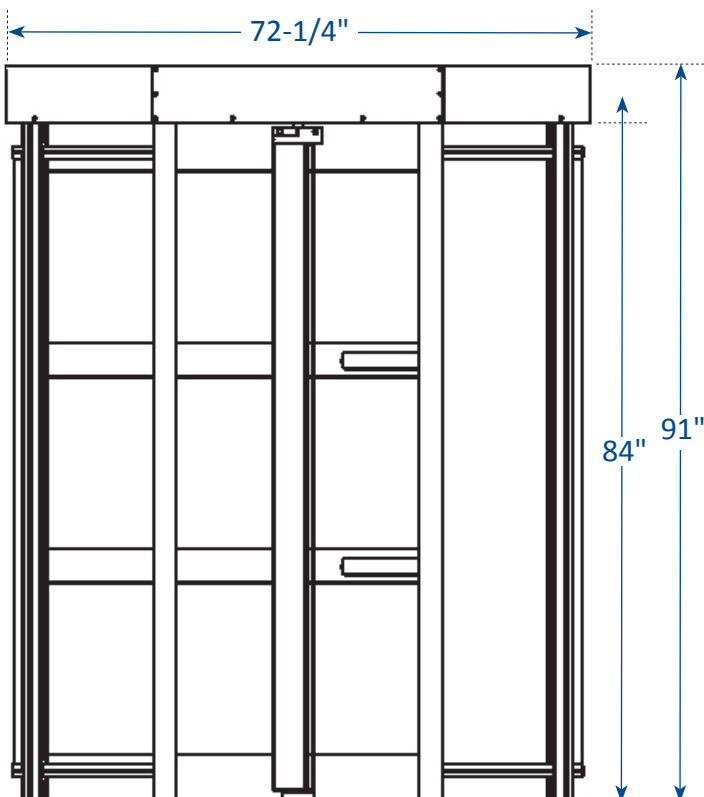
Power supply input 100-240VAC (.7 amp) 50/60hz output 24VDC (1.1 amp) UL Approved

### Warranty:

Units are warranted against defects in materials and workmanship for one year.



## HT60 Dimensions



**Expert Advice. Great Value. Contact Us Today!**

Call: 203-647-9147 Email: sales@haywardts.com

Website: www.haywardts.com

**HAYWARD TURNSTILES, INC.**  
160 Wampus Lane, Milford CT 06460