

Phone: 203-647-9147

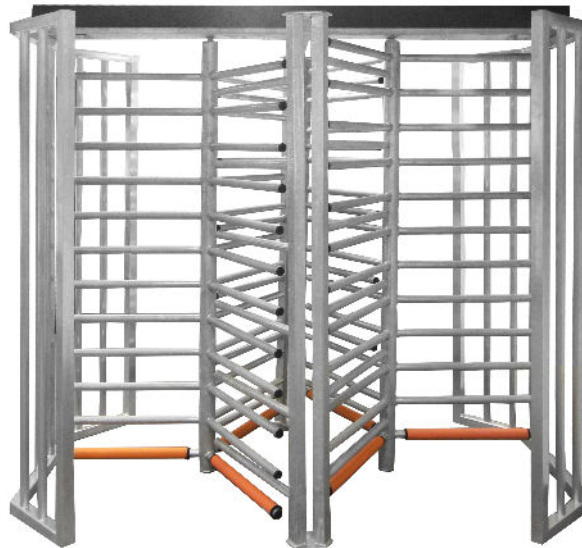
Fax: 203-200-7886

Email: sales@haywardts.com

Mail: 160 Wampus Lane
Milford, CT 06460

HT431T Tandem Full Height Turnstile

Complete Dimensions and Mounting Information

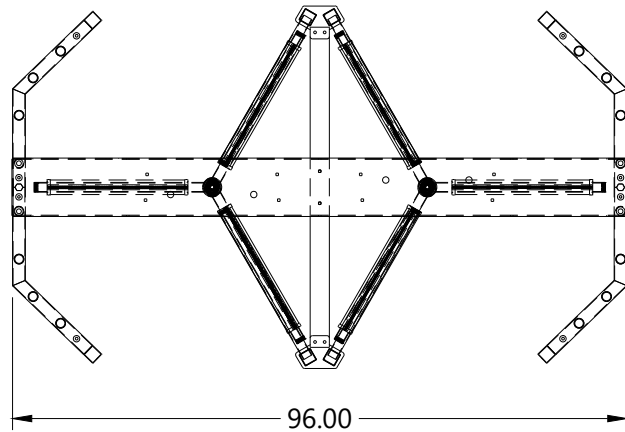
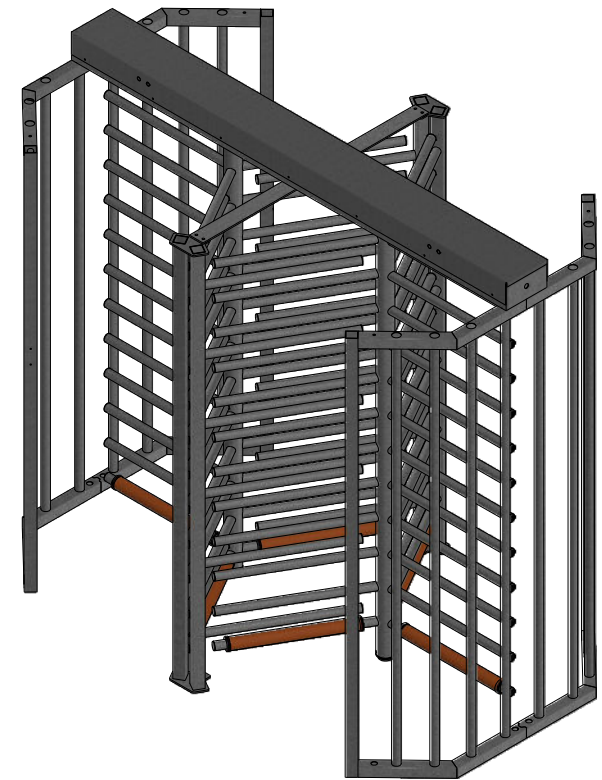




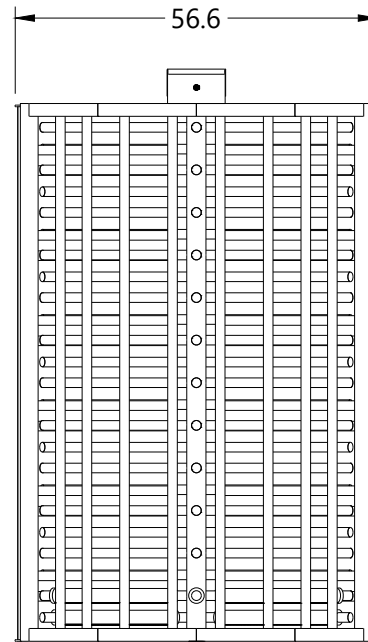
REVISIONS

ZONE	REV	DESCRIPTION	DATE	APPROVED
------	-----	-------------	------	----------

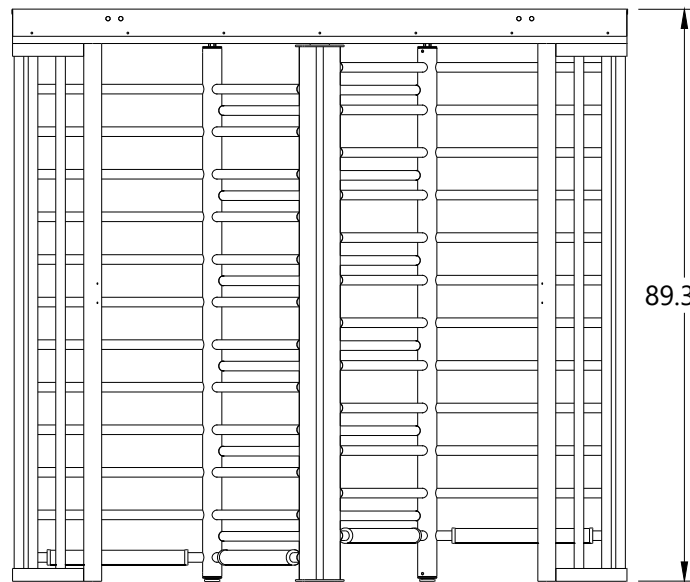
HT431T Tandem Full Height Turnstile



96.00



56.6



89.375

Unless otherwise specified, all dimensions are in inches.

.XXX +/- .005

.XX +/- .010

.X +/- .03

Surface finish 125 RMS Max

Break all edges & sharp corners

This drawing is the property of Hayward Turnstiles, Inc., and contains proprietary information. It may not be copied, reproduced or transmitted in any manner to a third party without prior written permission from Hayward Turnstiles, Inc.

Material: steel

Finish: galvanized

Drawn: MM- 1/15/22

TITLE

HAYWARD TURNSTILES, INC.

Tandem Full Height (galvanized)

SIZE

A

SCALE

CODE

1:30

DWG NO

WEIGHT

HT431T-GV

REV

SHEET

1/1

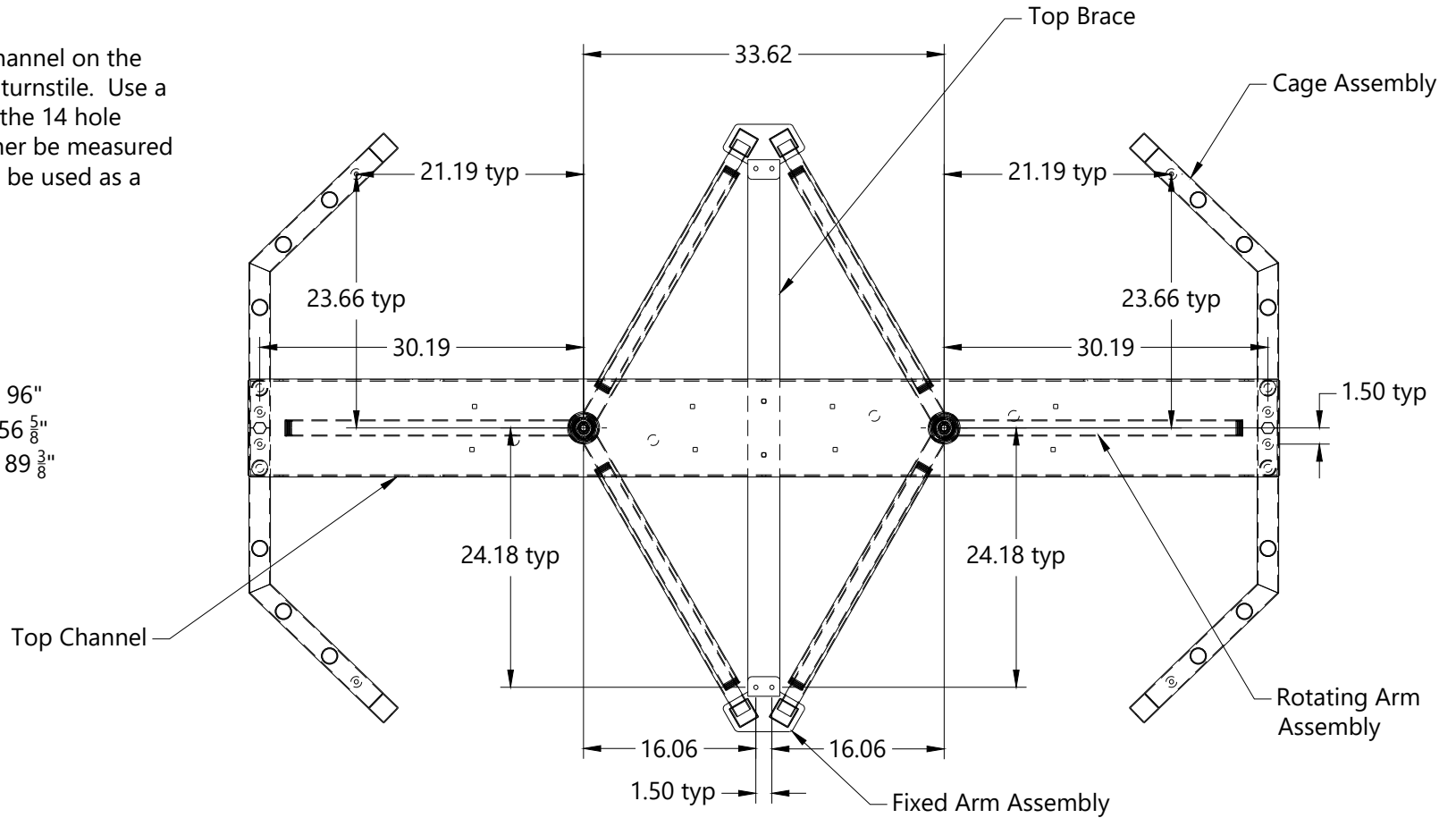


All measurements are referenced from the center of the rotating arm assemblies.

A total of 14 holes need to be drilled in the mounting surface (4 for the fixed center arms, 2 for rotating arm bearings & 8 for the cage assemblies).

HINT: you can lay the top channel on the ground where you want the turnstile. Use a magic marker to trace 10 of the 14 hole locations. The last 4 can either be measured or each cage assemblies can be used as a template.

Overall Length 96"
Overall Width 56 $\frac{5}{8}$ "
Overall Height 89 $\frac{3}{8}$ "



REVISIONS				
ZONE	REV	DESCRIPTION	DATE	APPROVED

This drawing is the property of Hayward Turnstiles, Inc., and contains proprietary information. It may not be copied, reproduced or transmitted in any manner to a third party without prior written permission from Hayward Turnstiles, Inc.

HAYWARD TURNSTILES, INC.

TITLE
HT431T Mounting Hole Locations

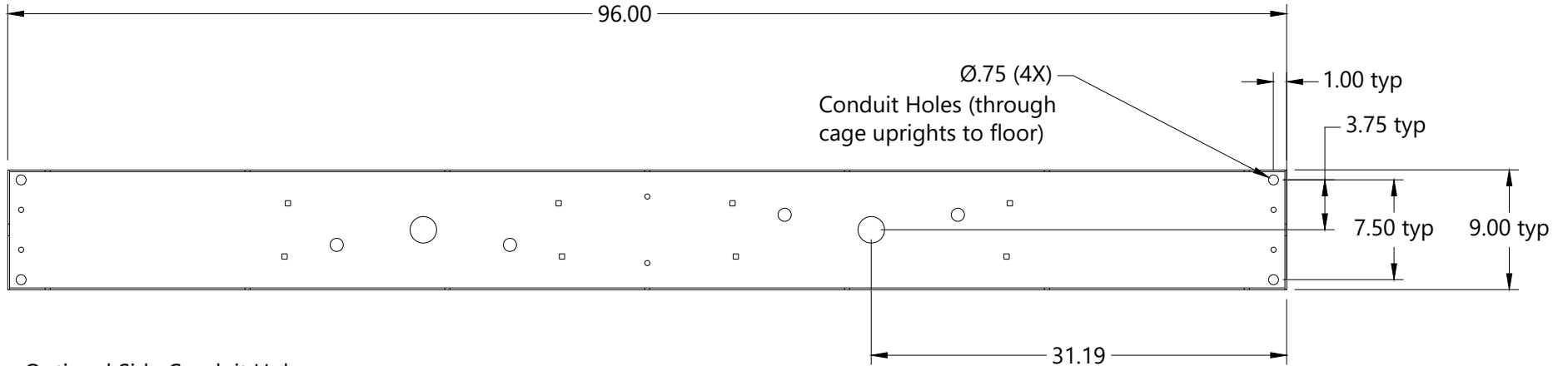
Unless otherwise specified, all dimensions are in inches.

Material:	SIZE	CODE	DWG NO	REV
Finish:	A		HT431T Holes	
Drawn: MM 1/18/22	SCALE	1:16	WEIGHT	SHEET 1/1

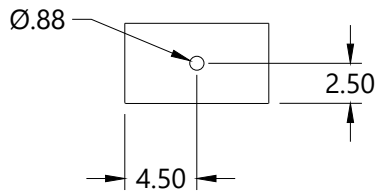
WIRING NOTES: Do not run low voltage and high voltage wiring in the same conduit. Be sure to bond the turnstile according to local code. Every installation is different so the HT431T was designed to accommodate many different wiring configurations. Wiring can be run from the floor up through any of the cage section uprights and into the top channel. Additionally, wiring can be run from a wall directly into the top channel at either end.

REVISIONS

ZONE	REV	DESCRIPTION	DATE	APPROVED
------	-----	-------------	------	----------



Optional Side Conduit Holes
(each end of channel)



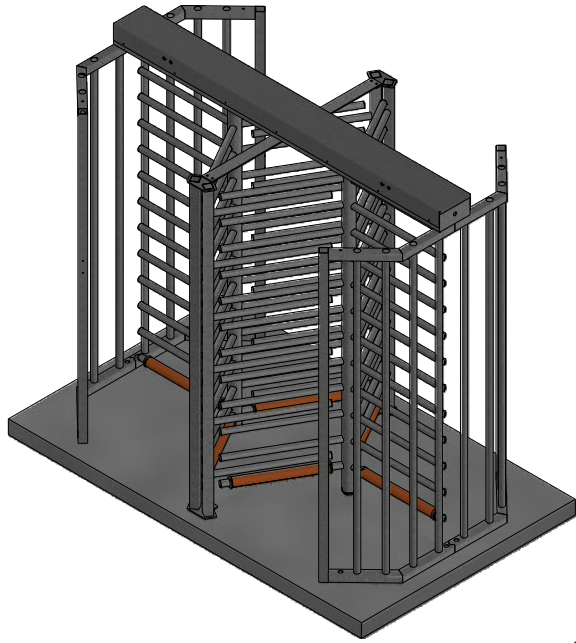
Unless otherwise specified, all dimensions are in inches.

This drawing is the property of Hayward Turnstiles, Inc., and contains proprietary information. It may not be copied, reproduced or transmitted in any manner to a third party without prior written permission from Hayward Turnstiles, Inc.	HAYWARD TURNSTILES, INC.			
	TITLE HT431T Tandem Conduit Holes			
Material:	SIZE	CODE	DWG NO	REV
Finish:	A		HT431T Conduit	
Drawn: MM	SCALE	1:12	WEIGHT	SHEET 1/1

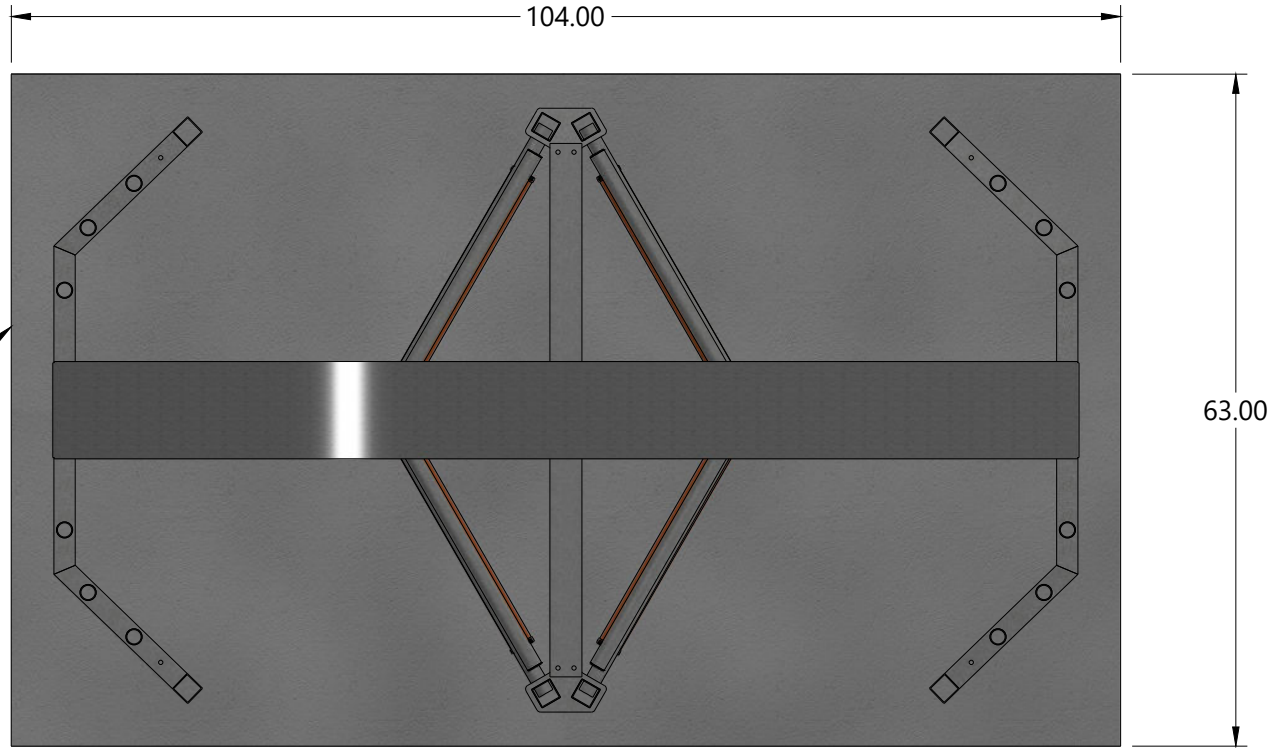


REVISIONS

ZONE	REV	DESCRIPTION	DATE	APPROVED



4.0 min thick
concrete pad



Concrete pad must be level

Unless otherwise specified, all
dimensions are in inches.

.XXX +/- .005

.XX +/- .010

.X +/- .03

Surface finish 125 RMS Max

Break all edges & sharp corners

This drawing is the property of Hayward Turnstiles, Inc.,
and contains proprietary information. It may not be
copied, reproduced or transmitted in any manner to a
third party without prior written permission from
Hayward Turnstiles, Inc.

HAYWARD TURNSTILES, INC.

TITLE

HT431T Concrete Pad

Material: Concrete

Finish:

Drawn: MM

SIZE

A

SCALE

CODE

1:16

DWG NO

WEIGHT

HT431T-CP

DATE

SHEET

REV

1/1

