

Phone: 203-647-9147

Fax: 203-200-7886

Email: sales@haywardts.com

Mail: 160 Wampus Lane
Milford, CT 06460

HT431 Full Height Turnstile

Complete Dimensions and Mounting Information

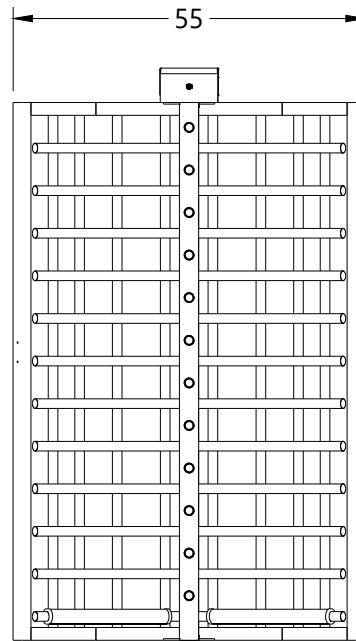
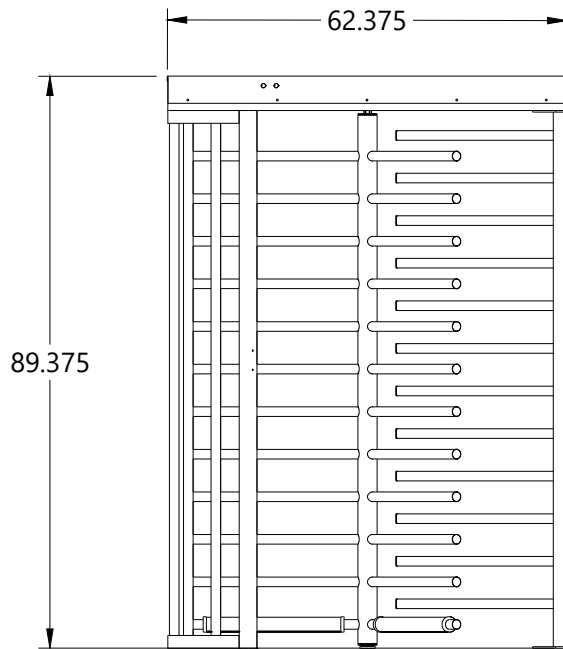
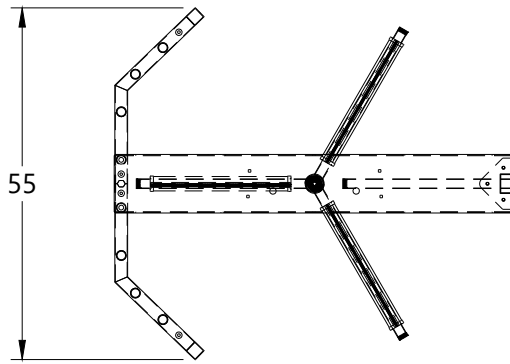




REVISIONS

ZONE	REV	DESCRIPTION	DATE	APPROVED
------	-----	-------------	------	----------

HT431 Galvanized



Unless otherwise specified, all dimensions are in inches.

.XXX +/- .005

.XX +/- .010

.X +/- .03

Surface finish 125 RMS Max

Break all edges & sharp corners

This drawing is the property of Hayward Turnstiles, Inc., and contains proprietary information. It may not be copied, reproduced or transmitted in any manner to a third party without prior written permission from Hayward Turnstiles, Inc.

HAYWARD TURNSTILES, INC.

TITLE

HT431 Full Height Turnstile (galv)

Material: Steel

Finish: Galvanized

Drawn: MM-1/15/22

SIZE

A

CODE

DWG NO

HT431-GV

REV

SCALE

1:25

WEIGHT

SHEET

1/1

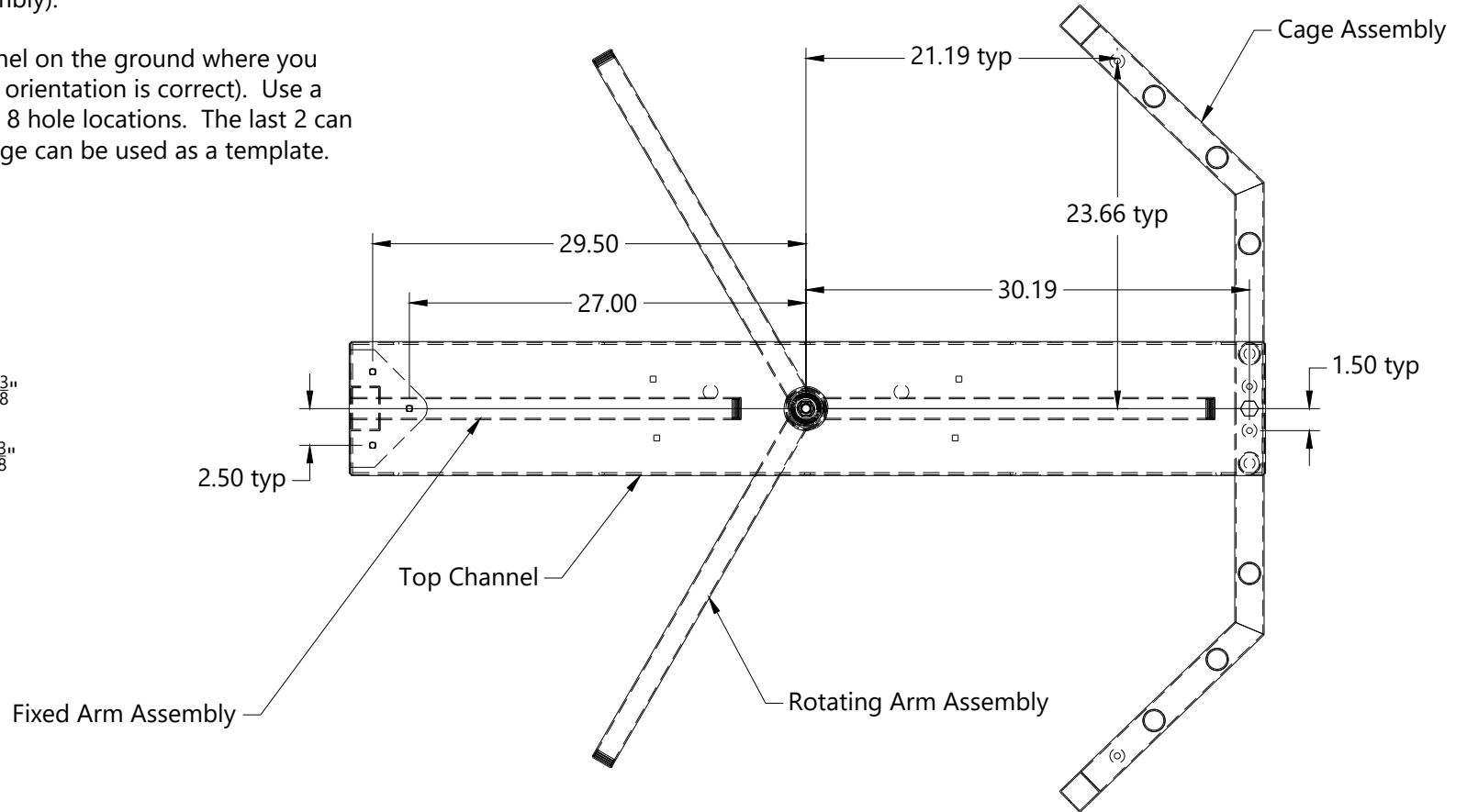


All measurements are referenced from the center of the rotating arm assembly.

A total of 8 holes need to be drilled in the floor to mount the turnstile (3 for the fixed arm assembly, 1 for the rotating arm bearing & 4 for the cage assembly).

Hint: you can lay the top channel on the ground where you want the turnstile (be sure the orientation is correct). Use a magic marker to trace 6 of the 8 hole locations. The last 2 can either be measured or each cage can be used as a template.

Overall Length $62 \frac{3}{8}$ "
 Overall Width 55"
 Overall Height $89 \frac{3}{8}$ "



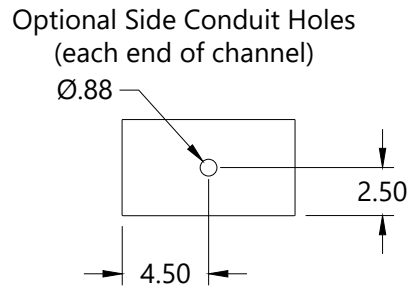
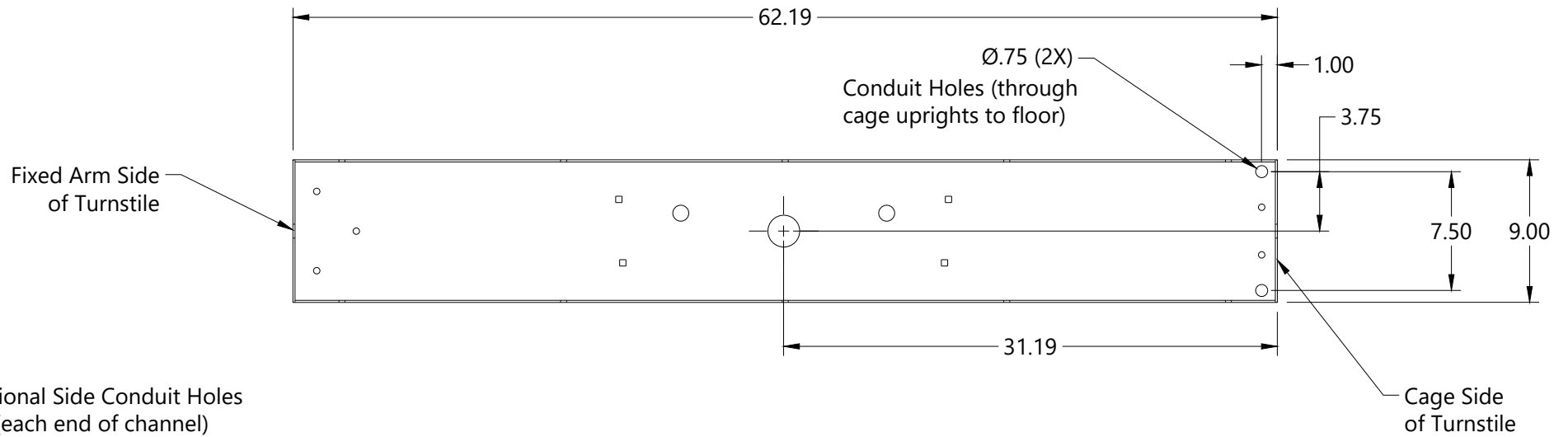
REVISIONS				
ZONE	REV	DESCRIPTION	DATE	APPROVED

This drawing is the property of Hayward Turnstiles, Inc., and contains proprietary information. It may not be copied, reproduced or transmitted in any manner to a third party without prior written permission from Hayward Turnstiles, Inc.	HAYWARD TURNSTILES, INC.			
	HT431 Mounting Hole Locations			
Material:	SIZE	CODE	DWG NO	REV
Finish:	A		HT431 Holes	
Drawn: MM 1/18/22	SCALE	1:16	WEIGHT	SHEET 1/1

Unless otherwise specified, all dimensions are in inches.

WIRING NOTES: Do not run low voltage and high voltage in the same conduit. Be sure to bond the turnstile according to local code. Every installation is different so the HT431 was designed to accomadate many different wiring configurations. Wiring can be run from the floor up through any of the cage section uprights and into the top channel. Additionally, wiring can be run from a wall directly into the top channel at either end.

REVISIONS				
ZONE	REV	DESCRIPTION	DATE	APPROVED



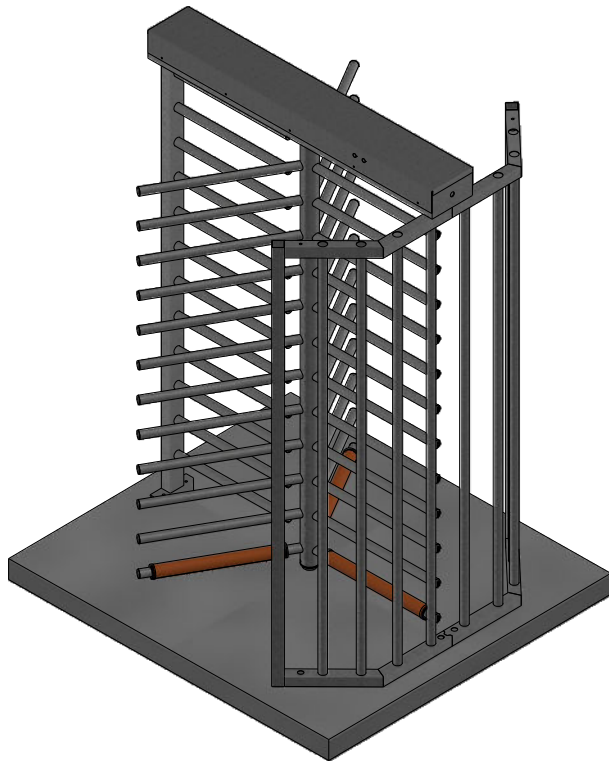
Unless otherwise specified, all dimensions are in inches.

This drawing is the property of Hayward Turnstiles, Inc., and contains proprietary information. It may not be copied, reproduced or transmitted in any manner to a third party without prior written permission from Hayward Turnstiles, Inc.	HAYWARD TURNSTILES, INC.			
	TITLE HT431 Conduit Holes			
Material:	SIZE	CODE	DWG NO	REV
Finish:	A		HT431 Conduit	
Drawn: MM	SCALE	1:10	WEIGHT	SHEET 1/1

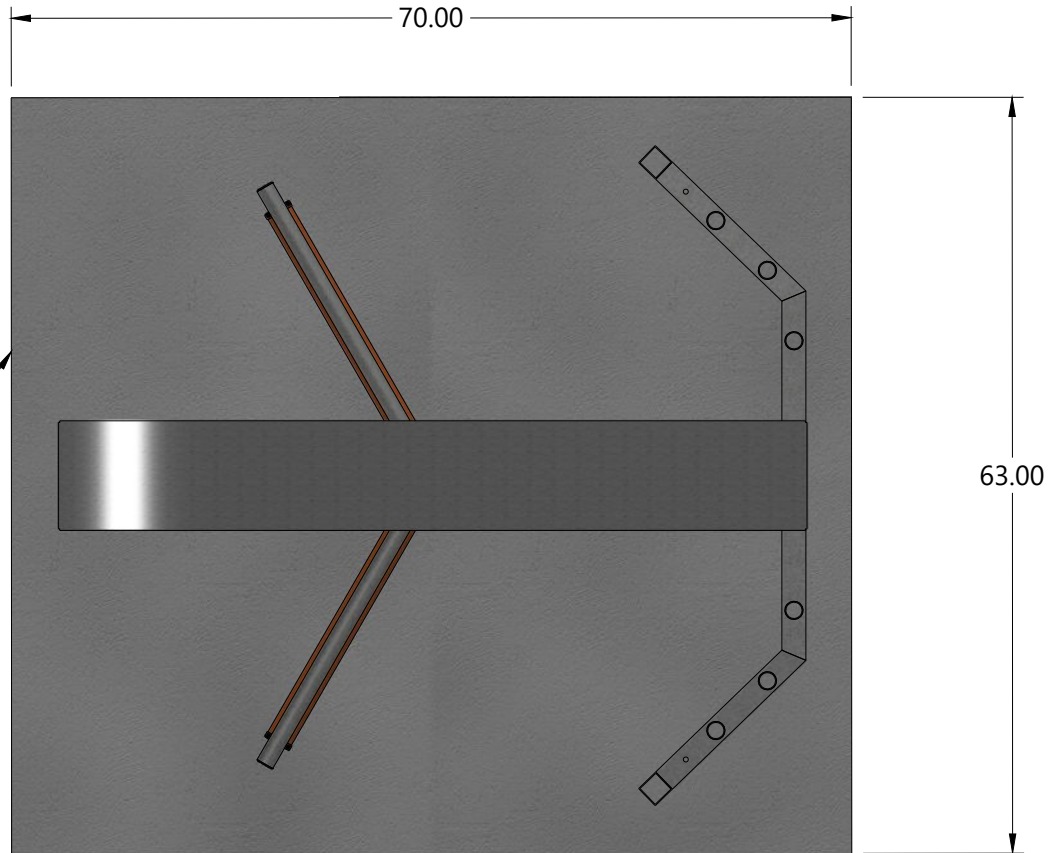


REVISIONS

ZONE	REV	DESCRIPTION	DATE	APPROVED
------	-----	-------------	------	----------



4.0 min thick
concrete pad



Concrete pad must be level

This drawing is the property of Hayward Turnstiles, Inc., and contains proprietary information. It may not be copied, reproduced or transmitted in any manner to a third party without prior written permission from Hayward Turnstiles, Inc.

HAYWARD TURNSTILES, INC.

TITLE

HT431 Concrete Pad

Material:

SIZE

CODE

DWG NO

REV

Finish:

A

HT431-CP

Drawn: MM 1/18/22

SCALE

WEIGHT

SHEET

1/1

Unless otherwise specified, all dimensions are in inches.

